

# ENGWALD EBS SERIES

## CUSTOM FEATURES:

- Weather-proof Housing
- Rubber-in-Shear Type Vibration Eliminators
- Inlet or Outlet Screens

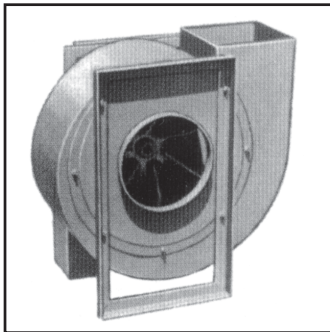
## CONSTRUCTION:

12 and 14 gauge steel plate housing and bases with continuous arc-welded joints. Spark-proof aluminum paddle wheels – cast aluminum hubs – direct connected. (1) prime coat plus (2) finishing coats of gray-blue lacquer.

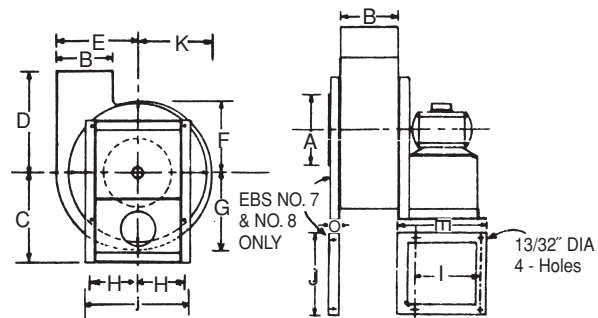
## MOTORS:

Single phase motors are 115-230 volt, 60 cycle capacitor start induction run type. Three phase motors are 208-220-440 volt, 60 cycle, squirrel cage induction run type. Standard units are open – drip-proof, continuous duty, ball bearing, solid foot motors. Other combinations available upon request.

## EBS SERIES



EBS-SERIES



SIZE EBS	MOTOR H.P.	RPM	WHEEL SIZE	1" SP CFM	2" SP CFM	2 1/2" SP CFM	3" SP CFM	3 1/2" SP CFM	4" SP CFM	4 1/2" SP CFM	5" SP CFM
#4A	1/4	1725	9 x 4	220	105						
#4B	3/4	3450	9 x 4	700	674	655	630	595	584	545	510
#5A	1/2	1725	12 x 5 1/2	800	580	210					
#5B	3	3450	12 x 5 1/2				1700	1648	1605	1548	1500
#6	1 1/2	1800	15 1/2 x 7 1/2	1800	1600	1410	1175	940			
#7	3	1800	18 x 8 3/4	3400	3210	3060	2880	2750	2500	2030	1800
#8	5	1800	19 3/4 x 9					3800	3640	3450	3220

SIZE EBS	A	B	C	D	E	F	G	H	J	K	L	M	O
4	5 3/4	5 1/16	9 3/8	6 1/4	8 3/4	6	7 1/4	5 1/16	11 3/4	6 1/2	9 1/2	11	1 1/4
5	7 1/4	6 5/8	11 1/2	8 1/4	11 1/4	7 3/4	9 3/4	5	11 1/2	8 3/4	9 1/2	11 1/2	1 1/4
6	9 1/4	8 1/8	14 5/8	11 3/8	14 1/4	10	12	6	13 1/2	11	11 1/2	13 1/2	1 1/4
7	11 1/4	10 3/16	17 5/8	12 1/2	16 1/4	11 1/2	14 5/8	7 1/2	16 1/2	12 1/2	11 1/2	13 1/2	1 1/2
8	13 1/4	11 5/8	19 1/4	14 1/4	18 1/2	13 7/8	16 5/8	7 5/8	16 3/4	15 1/4	12 1/2	14 1/2	1 1/2

Job Name: \_\_\_\_\_

Blower Rotation: \_\_\_\_\_

Contractor: \_\_\_\_\_

Blower Discharge: \_\_\_\_\_

Remarks: \_\_\_\_\_

Voltage: \_\_\_\_\_



"The World's Finest Exhaust Systems"

125 Sheridan Blvd., Inwood, NY 11096 • 516-371-2222 • Fax 516-371-2577